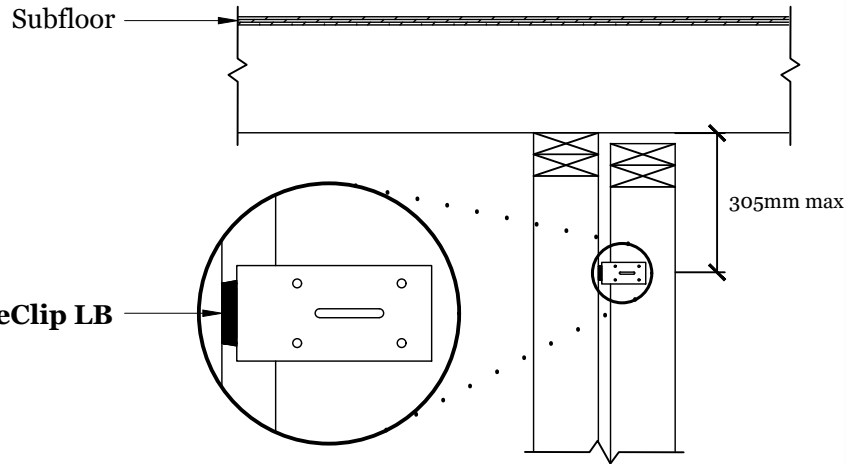
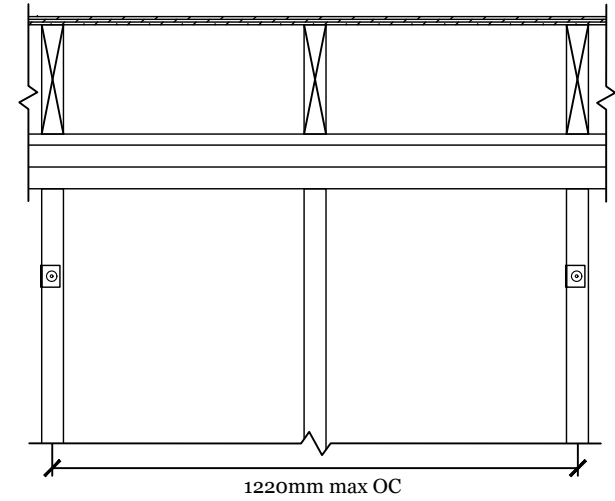


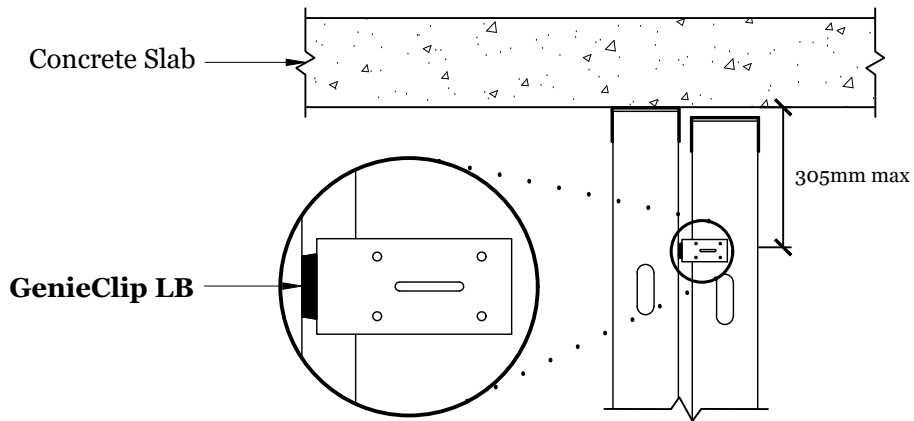
PROFILE VIEW



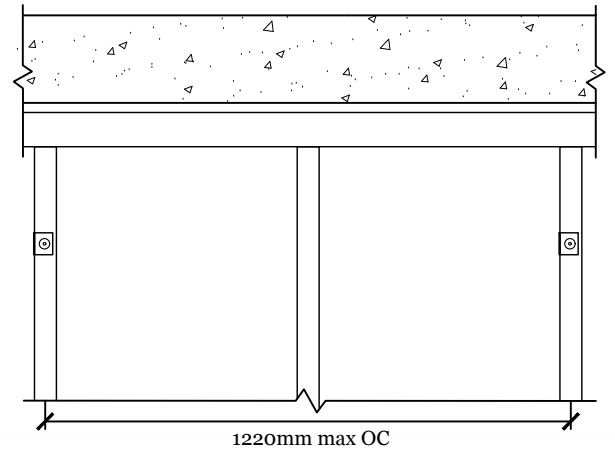
FRONT VIEW



PROFILE VIEW



FRONT VIEW



Phone: +61 390187696  
info@pliteq.com.au

GENERAL NOTES:

The information provided in this drawing is accurate to the best of our knowledge at the time of printing. However, we reserve the right to make changes when necessary without notification.

© Pliteq Asia Pacific PTE LTD. 2021.

Notes

PROJECT: **GenieClip® LB Wall Series**

DRAWING: Wall to Wall Isolated Partition

DRAWN BY: J. Joo

DATE: 2017-01-09

DWG. NO.:  
LB02

SCALE: N/A