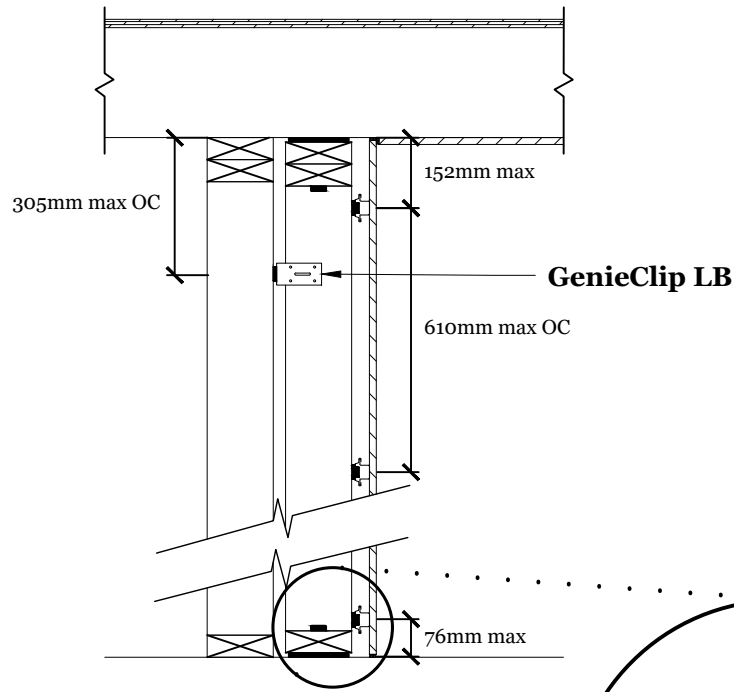
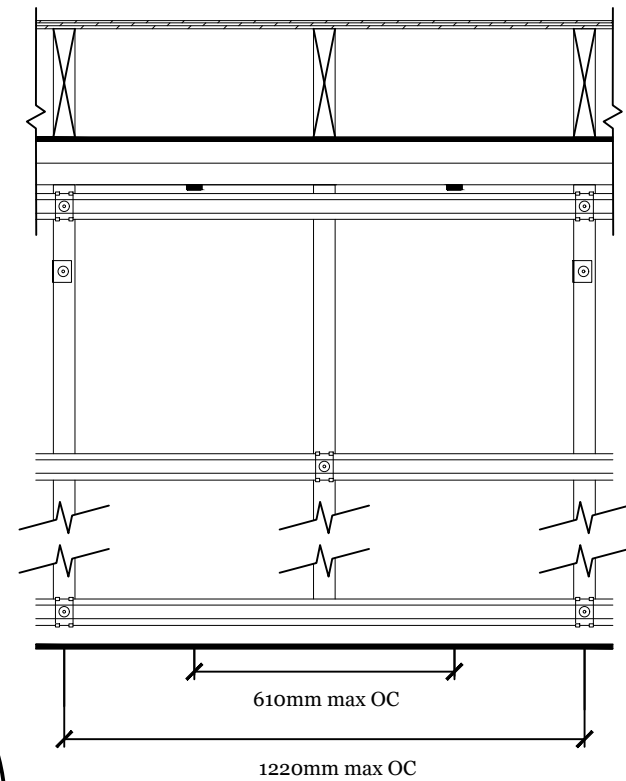


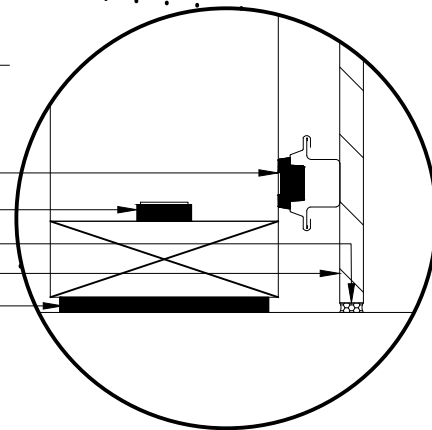
PROFILE VIEW



FRONT VIEW



- GenieClip RST** with 22mm Furring Channel
- GenieMat FIS** Washer
- Acoustical Sealant
- Drywall
- GenieMat FIS** Acoustic Pad



Phone: +61 390187696
info@pliteq.com.au

GENERAL NOTES:

The information provided in this drawing is accurate to the best of our knowledge at the time of printing. However, we reserve the right to make changes when necessary without notification.
© **Pliteq Asia Pacific PTE LTD. 2021.**

Notes

PROJECT: GenieClip® RST Wall Series

DRAWING: GenieMat® FIS with GenieClip LB Isolated Partition

DRAWN BY: J. Joo

DATE: 2017-01-10

DWG. NO.:
LB05

SCALE: N/A